

NBT Monsoon Blinds



- Exceptional Rain Protection and Wind Resistance
- Maintains Excellent External Views
- UV Resistant long lasting Fabric
- Reduces heat load and cooling costs.

Unique Features of NBT Monsoon Blinds

- Allows you to see clearly through the blind resulting in uninterrupted views
- It is an unobtrusive product which complements and enhances any outdoor area
- Completely enclose an area or just cover a section that maybe more susceptible to rain and wind
- The fabric is a special grade UV treated fabric which is guaranteed to be unaffected by extreme heat.



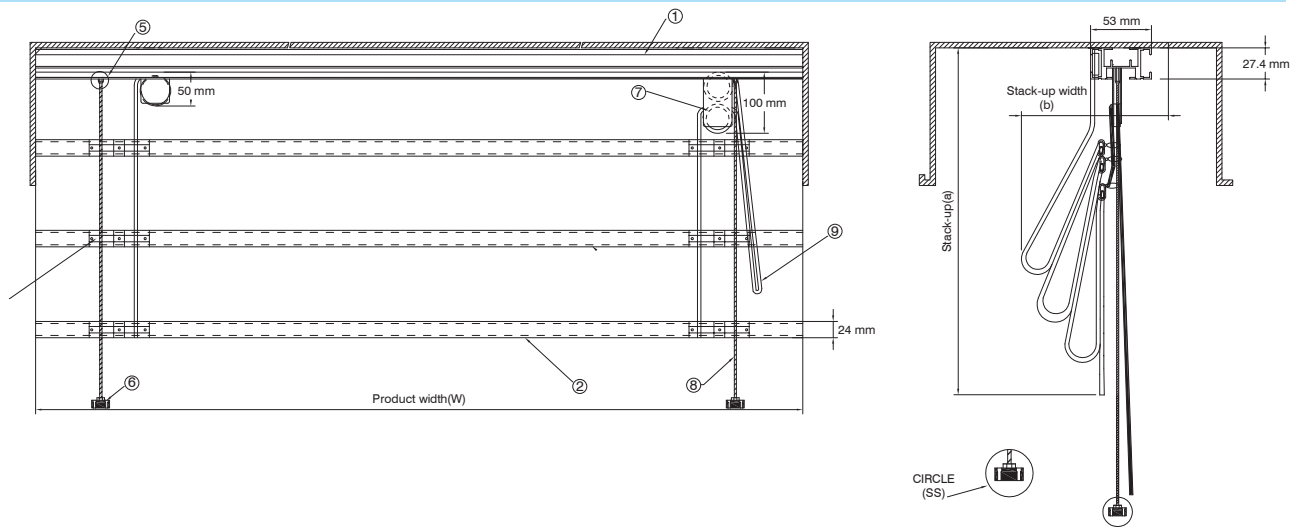
- The Wire Ropes are of SS and the Guides are Nylon 66. All other parts are also of materials conducive to outdoor areas and natural elements.



- The pull cord is long lasting and made of high tenacity Nylon.



Structure Drawing


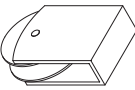
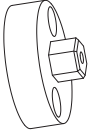


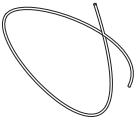


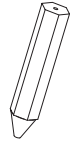
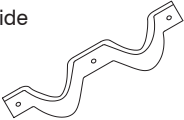
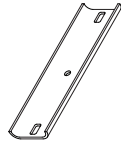

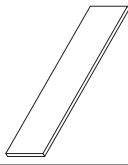
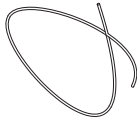
Components and Materials

No.	Components	Material
①	Head Rail	Aluminum
②	C Channel	Aluminum
③	Round Rod	Aluminum
④	Square Rod	Aluminum
⑤	Wire Guide	SS

No.	Components	Material
⑥	Circle (Wire Guide)	SS
⑦	Double and Single Pulley	SS/Nylon66
⑧	Wire Rope (Metal)	SS
⑨	Pull Rope	Nylon
⑩	Rope Plate/Rope Guide	Polyester

NBT Monsoon Blind Parts

Product Name	Size	Product Code
Head Rail 	53.4 x 27.5 mm	MHR-01
Single/ Double Pulley 	Single 42 x 36 mm Double 83 x 36 mm	MP-007
Circle 	54 x 15 mm	MC-006
Square Rod 	5 mm	MSR-04
C-Channel 	23.5 x 13.5 mm	MCC-02
Wire Rope (Metal) 	4 mm	MWRM-08

Product Name	Size	Product Code
Wire Guide 	100 mm	MWG-05
Rope Guide 	92 x 9.5	MPP/G-10
Rope Plate 	95 x 25 mm	MC-006
Round Rod 	8 mm	MMR-03
Plate 	22 x 2 mm	MP-01
Pull Rope 	7 mm	MPR-09

NBT Monsoon Blinds

